

# MVHB-260 series

## HAND LEVER VALVE



mindman

### Specification

Model	MVHB-260(V)-4TV MVHB-260(V)-4TV-SP	MVHB-260(V)-4TV* MVHB-260(V)-4TV*-SP
Bore No.	8A	
Port size	Rc1/4	
No. of port	5	
No. of position	2	3
Medium	Air	
Operating pressure range	0~0.8 MPa	
Effective orifice	18 mm <sup>2</sup>	
Ambient temperature	-5~+60°C (No freezing)	
Weight	219 g	278 g



### Order example

**MVHB-260V-4TVC-SP-G**

MODEL

BODY WIDTH

4way

VALVE TYPE

Blank: 5/2  
C: Close center (5/3)  
P: Pressure center (5/3)  
R: Exhaust center (5/3)

SPRING RETURN

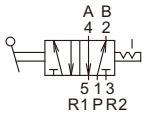
PORT THREAD

Blank: Rc thread  
G: G thread  
NPT: NPT thread

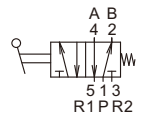
Blank: Standard type  
V: Vertical type

※ Vertical type can be used with MVSE-260 manifold (Refer to page A-26)

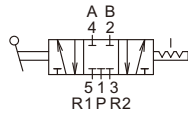
#### MVHB-260-4TV



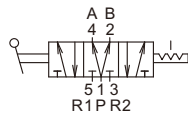
#### MVHB-260-4TV-SP



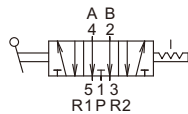
#### MVHB-260-4TVC



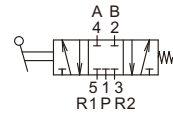
#### MVHB-260-4TVP



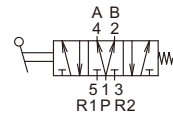
#### MVHB-260-4TVR



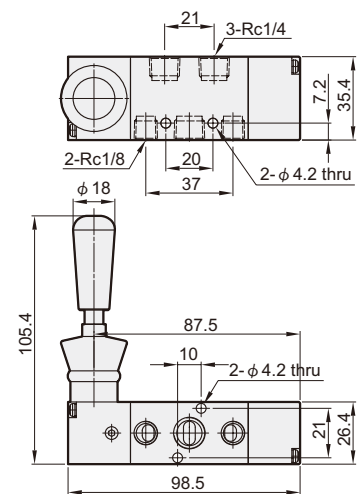
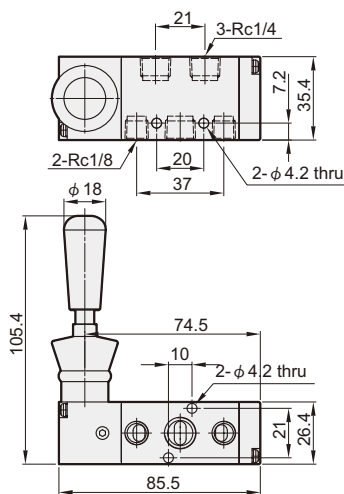
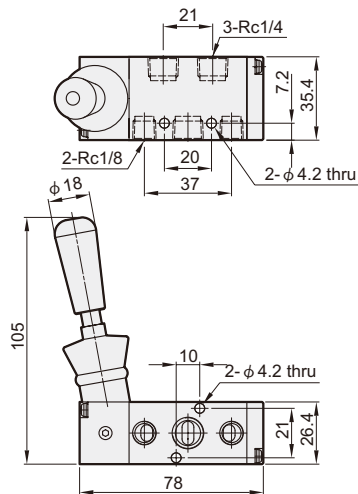
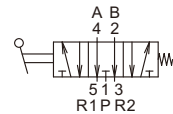
#### MVHB-260-4TVC-SP



#### MVHB-260-4TVP-SP



#### MVHB-260-4TVR-SP



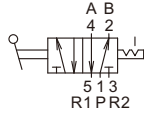
mindman

# MVHB-260 Dimensions

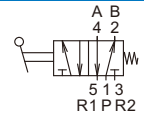
## HAND LEVER VALVE



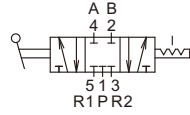
**MVHB-260V-4TV**



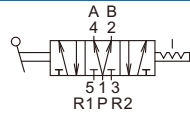
**MVHB-260V-4TV-SP**



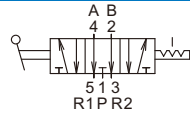
**MVHB-260V-4TVC**



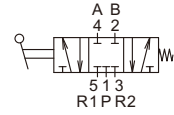
**MVHB-260V-4TVP**



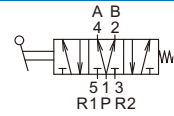
**MVHB-260V-4TVR**



**MVHB-260V-4TVC-SP**



**MVHB-260V-4TVP-SP**



**MVHB-260V-4TVR-SP**

